

Z1970 9" DIAMETER SHALLOW A.R.C. SANI-FLOR RECEPTOR WITH 3" SUMP DEPTH

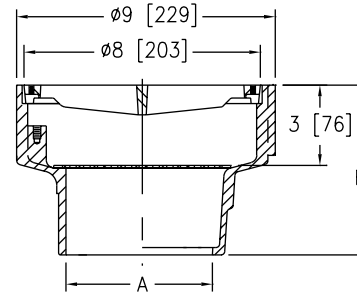


ENGINEERING SPECIFICATION

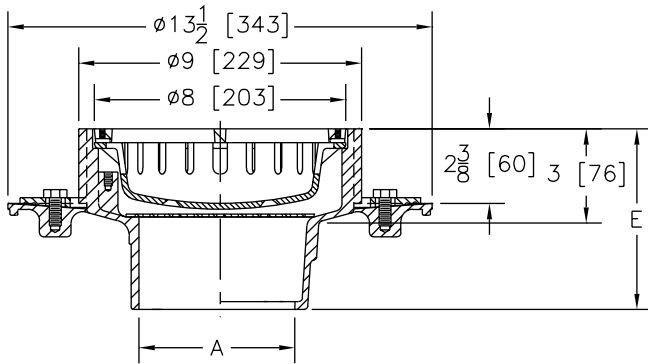
Zurn Z1970 Sani-Flor receptor features 9" diameter x 3" deep cast iron body and round slotted, medium-duty grate with white acid resisting epoxy coated interior and top – complete with brass secondary strainer.

NOTE

†Add 11/16" to 9" dimension when specifying ZN1970.



Dimensions in inches [mm]		Approximate Weight lb [kg]	Grate Open Area sq in [cm ²]
A Pipe Size/Outlet Type	E Body Height Dimensions		
	Z	ZN	
No-Hub (NH)			
2NH, 3NH, 4NH	5-3/4 [146]	6 [152]	14 [6] 18 [116]
Neo-Loc (NL)			
2NL, 3NL, 4NL	4-7/8 [124]	5-1/8 [130]	14 [6] 18 [116]



-KC-25 Options Shown

Z1970-KC-25 Sani-Flor Receptor, 9" diameter x 2-3/8" deep cast iron body and round slotted medium-duty grate with white acid resisting epoxy coated interior and top with seepage flange with seepage holes and clamp collar (-KC) and white A.R.C. bucket (-25).

PREFIXES	DESCRIPTION	A PIPE SIZE	Z (A.R.C.)	ZN (N.B.)
Z1970*	Cast Iron Body with White A.R.C. Interior and Top	2", 3", 4"	1,273.00	-
ZN1970†	Cast Iron Body with White A.R.C. Interior and Top, 9" Round N.B. Frame, and Full Slotted Grate	2", 3", 4"	-	1,518.00

OUTLETS (SPECIFY PIPE SIZE IN INCHES AND TYPE OF OUTLET)			
OUTLET TYPE	PIPE SIZE/OUTLET TYPE		ADD
NH	No-Hub	2NH, 3NH, 4NH	N/C N/C
NL	Neo-Loc	2NL, 3NL, 4NL	N/C N/C

SUFFIXES		Z (A.R.C.)	ZN (N.B.)
-K	Anchor Flange	286.00	286.00
-KC	Anchor Flange with Seepage Holes and Clamp Collar	472.00	472.00
-P	1/2" Trap Primer Connection	194.00	194.00
-TC	Neo-Loc Test Cap Gasket (2", 3", 4" NL Bottom Outlet Only)	24.00	24.00
-2	1/2 Grate	N/C	N/C
-3	3/4 Grate	N/C	N/C
-4	Full Grate with Center Opening	178.00	178.00
-5	Grate with 4" Dia. x 3-3/4" High Funnel	380.00	421.00
-7	Grate with 6-3/4" x 3" x 1" High Oval Funnel	380.00	421.00
-11	Vandal-Proof Secured Grate	165.00	165.00
-25	White A.R.C. Bucket	228.00	228.00
-31	Stainless Steel Mesh Liner for Bucket	306.00	306.00

BEST SELLER	LIST PRICE
Z1970-3NH-2	1,273.00

Supplied By:



877-903-7246

www.commercialplumbingsupply.com

*Regularly furnished unless otherwise specified.

Items designated as Best Sellers are most specified and are generally in stock for shipment.

⌚ This symbol denotes a product that is engineered to reduce installation and rework time.

For additional product information, please visit www.zurn.com